

Fig. 17a

2nd. Power
Supply 5VDC
50 mAmps

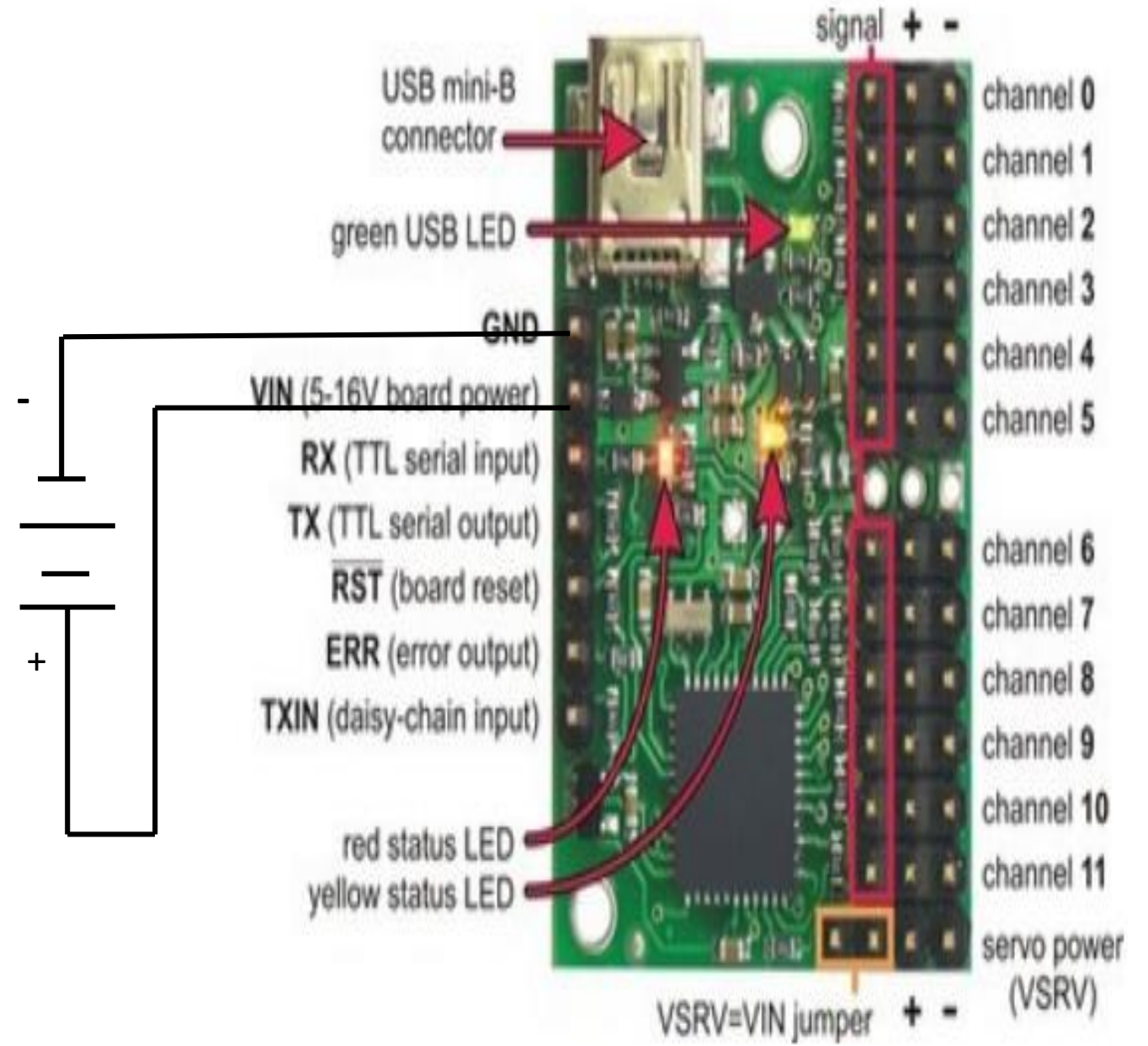


Fig. 17b

The Micro Maestro's processor and servos
can be powered separately.