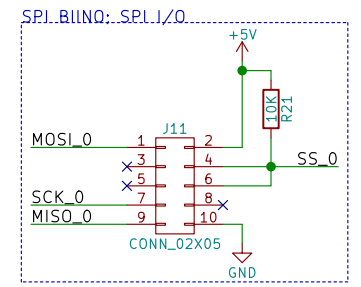
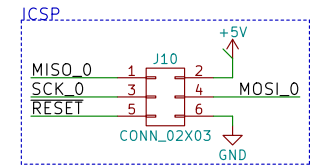
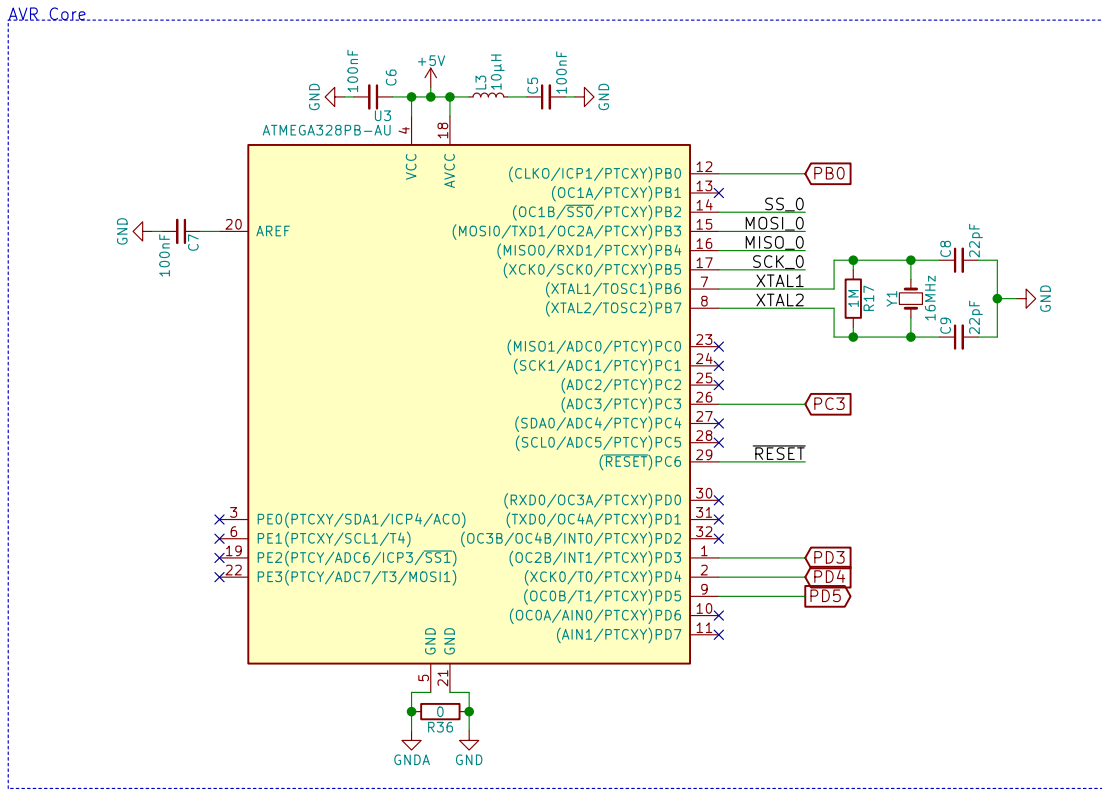
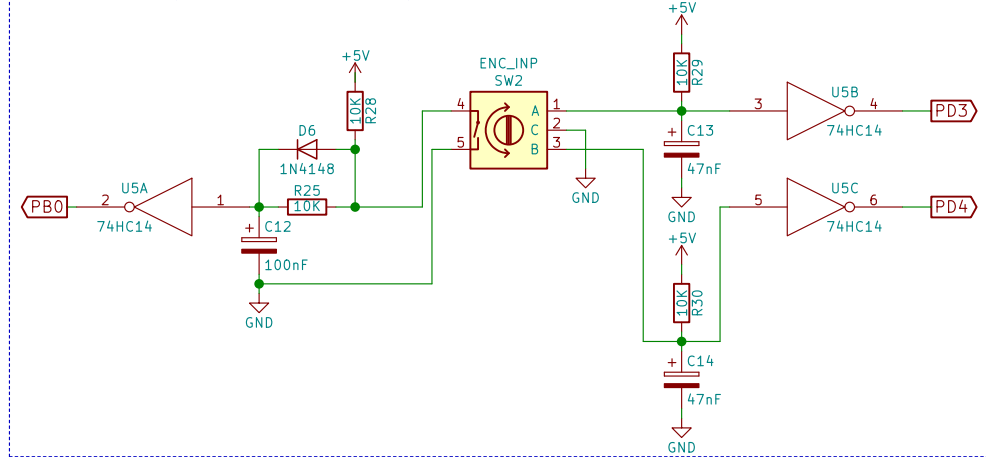


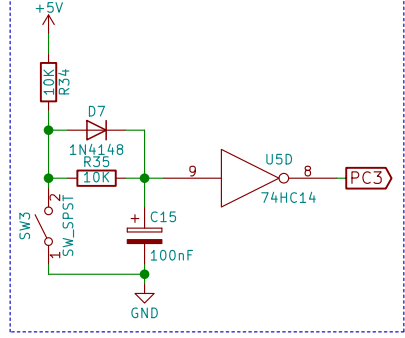
Sheet: /	
File: CAPAmp01.sch	
Title: CAP Amplifier 01	
Size: A4	Date: 2017-09-06
KiCad E.D.A. kicad 4.0.7-e2-637661ubuntu18.04.1	Rev: 1
	Id: 1/3



ROTARY_ENCODER.(CHANNEL_SELECT..VOLUME)



SWITCH:.POWER_OFF/MUTE



Sheet: /CAPamp01p3/
File: CAPamp01p3.sch

Title: CAP Amplifier 01

Size: A4 Date: 2017-09-06
KiCad E.D.A. kicad 4.0.7-e2-637661ubuntu18.04.1

Rev: 1
Id: 3/3