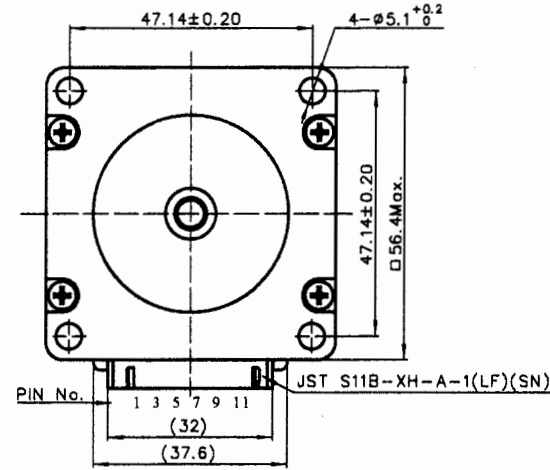
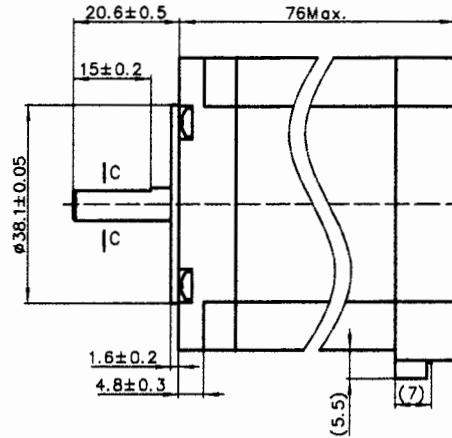
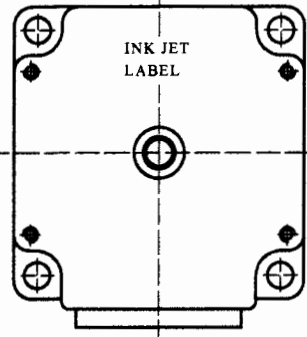
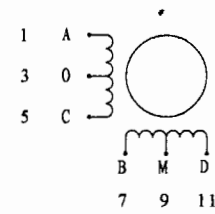


4611110008665



接线图

Wiring Diagram



励磁顺序 vs. 旋转方向

Exciting Sequence vs. Direction of Rotation

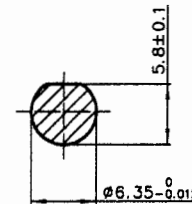
STEP	A	B	C	D	M	
1	-	-			+	+
2	-		-		+	+
3		-		-	+	+
4	-			-	+	+

从安装面看为顺时针方向
Clockwise view from mounting side

规格 Specifications

1. 相数 Number of Phase	4
2. 步距角 Step Angle	1.8°
3. 额定电压 Rated Voltage	8.6V DC
4. 额定电流 Rated Current	1.0A
5. 保持力矩 Holding Torque	1.2N.m Min.(Two phases on rated current)
6. 相电阻 Phase Resistance	8.6Ω±10% (20°C)
7. 相电感 Phase Inductance	15mH±20% (1kHz 1V rms)
8. 转子惯量 Rotor Inertia	460g.cm ²
9. 电机重量 Motor Weight	1000g
10. 绝缘等级 Insulation Class	B(130°C)

C-C(2:1)



铭牌 Label Detail

MOONS' STEPPING MOTOR
TYPE 23HS3007-02
XXXXXXXX YY/MM/DD
MADE IN CHINA

Work Order
加工单号

Date Format
日期格式

保 密

L			Unit: mm	批准 Approve	2011	2/15	MOONS' Hybrid Stepping Motor Shanghai Moons' Electric Co., Ltd.
K			第一角画法 FIRST ANGLE METHOD	标准化 Standard	2011	2/15	
J			未注线性与角度尺寸公差 Tolerances for linear and angular dimensions without individual tolerance indications	工艺 Technology	2011	03.15	
I			GB/T 1804-m eqv ISO 2768-1:m	审核 Check	2011	03.15	
H			未注非线性与位置尺寸公差 Geometrical tolerance for features without individual tolerance indications	设计 Design	张晓钢	2011.03.14	
G			GB/T 1184-K eqv ISO 2768-2:K				This document is released for information only. Its reproduction in whole or in part or its dissemination to third parties is prohibited. All trademarks and registered trademarks appearing on this document are the property of their respective owners.
A	原始版本 Original revision	2011.03.14					
REV.	版本记录 REVISION RECORD	DATE	UNLESS OTHERWISE SPECIFIED	NAMES	SIGNATURE	DATE	Type: 23HS3007-02
1							Rev. A
2							SCALE 1:1
3							Sheet 1 of 1
4							
5							
6							
7							
8							